



*GMP-/FDA-compliant design: No corners, no sharp edges – an interior as from a single mold. The vacuum drying ovens of the VSD series are equipped as standard with automatically locking turning latches that are particularly easy to clean.*

## Vacuum drying ovens VSD

**For perfect clean and contamination-free drying processes**

The manufacture of sensitive and, under certain circumstances, highly potent, hazardous products calls for plants and systems capable of gently drying such products under extremely clean and contamination-free conditions. The VSD vacuum drying ovens create precisely these conditions.

The heated shelves, ceiling and floor are double-walled and merge seamlessly into the chamber walls. Due to the system's efficient heat circulation, the walls are also uniformly heated and cannot serve as condensation surfaces therefore.

On the front, the vacuum drying ovens are fitted with a continuous mounting frame for wall installation, the frame being tightly welded to the vacuum chamber.

### System features

- GMP-/FDA-compliant design
- Simple cleaning
- Rounded corners, no sharp edges, no concealed surfaces
- No penetrations for the heating medium and no supports in the product chamber
- Outstanding surface quality (ground and polished)
- Excellent temperature distribution

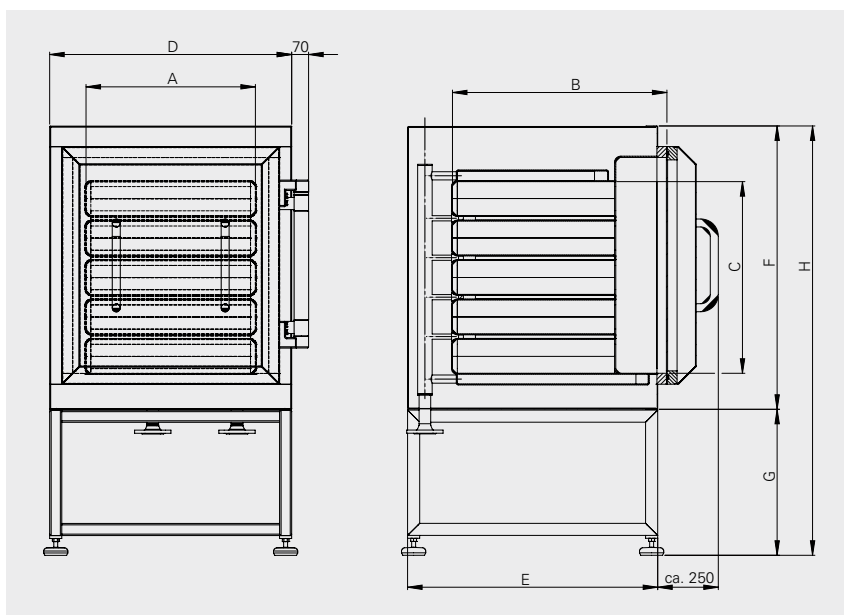
### Options

- Double-chamber design
- Pass-through version
- Isolator connection as a containment solution
- Door heating
- Design suitable for installation and operation in explosion-hazardous environments (ATEX)

The specifications and illustrations on this page are merely intended as a guide to possible configurations of your individual vacuum drying oven.



## Dimensions of vacuum drying ovens VSD with base frame



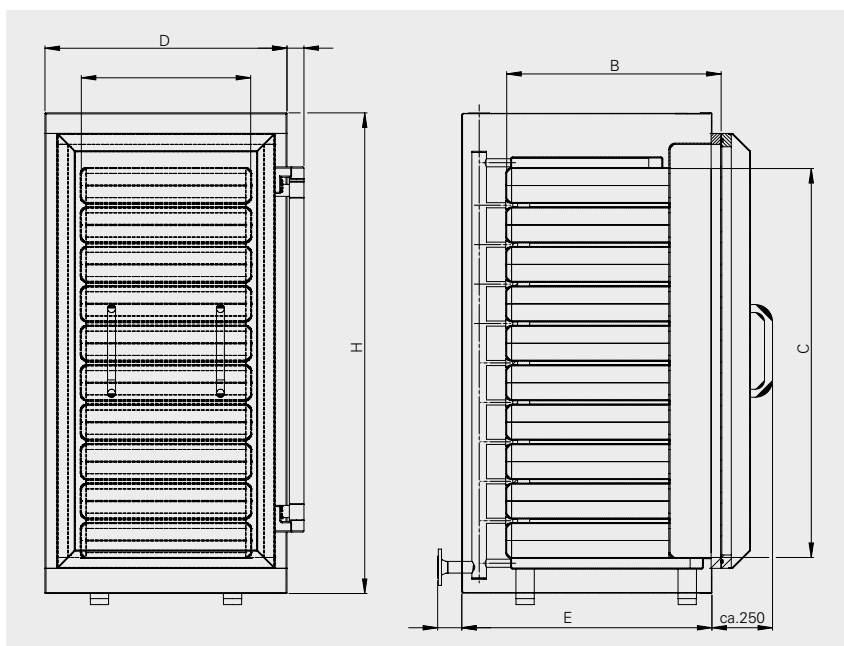
## Usable inner dimensions of vacuum chambers

Usable Width (mm)					
650	750	850	950	1050	

Usable Depth (mm)					
650	750	850	950	1050	

Height C (mm)						
Shelves Pcs.	Height of shelves					
	100	120	140	160	180	200
3	346	406	466	526	586	646
4	469	549	629	709	789	869
5	592	692	792	892	992	1092
6	715	835	955	1,075	1,195	1,315
7	838	978	1,118	1,258	1,298	1,538
8	961	1,121	1,281	1,441	1,601	1,761
9	1,084	1,264	1,444	1,624	1,804	1,984
10	1,207	1,407	1,607	1,807	2,007	—
11	1,330	1,550	1,770	1,990	—	—
12	1,453	1,693	1,933	—	—	—
13	1,576	1,836	—	—	—	—
14	1,699	1,979	—	—	—	—
15	1,822	—	—	—	—	—

## Dimensions of vacuum drying ovens VSD without base frame



Any combination of inner dimensions possible.

Further sizes on request.

## Outer dimensions (mm)

**VSD with base frame    without base frame**

Width:  $D = A + 300$     Width:  $D = A + 300$

Depth:  $E = B + 142$     Depth:  $E = B + 202$

Height:  $F = C + 380$     Height:  $H = C + 380$

Height:  $G = \text{max. } 700$

Height:  $H = \text{max. } 1,800$

## Inner dimensions (mm)

Width:  $A = \text{usable width} + 50$

Depth:  $B = \text{usable depth} + 235$

## Inner dimensions of standard vacuum drying ovens VSD

Type	Usable width (mm)	Usable depth (mm)	Usable height (mm)	Shelves (number)	Shelve area (m <sup>2</sup> )
VSD 650-650-140-3	650	650	140	3	1.27
VSD 650-650-140-5	650	650	140	5	2.11
VSD 650-650-140-7	650	650	140	7	2.96
VSD 950-650-120-6	950	650	120	6	3.70
VSD 950-650-120-8	950	650	120	8	4.90
VSD 950-650-120-12	950	650	120	12	7.42
VSD 1050-1050-100-10	1,050	1,050	100	10	11.00
VSD 1050-1050-100-14	1,050	1,050	100	14	15.40

## PiNK GmbH Thermosysteme

Am Kessler 6

97877 Wertheim

Germany

T +49 (0)9342 919-0

F +49 (0)9342 919-111

thermosysteme@pink.de

www.pink.de